

UTC CW574 LINEAR INTEGRATED CIRCUIT

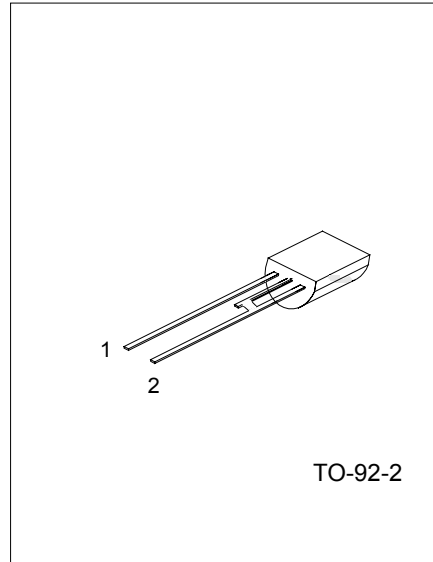
33V COLOR TV VOLTAGE REGULATOR

DESCRIPTION

The UTC CW574 is a parallel voltage regulator which provides stable harmonious voltage for high frequency tuner head of color TV.

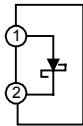
FEATURES

- *Low temperature coefficient.
- *Low dynamic resister.
- *Typical voltage: 33V.



TO-92-2: 1: Output 2: GND

BLOCK DIAGRAM



PIN FUNCTION

| PIN | SYMBOL | FUNCTION |
|-----|--------|-----------------|
| 1 | GND | GROUND |
| 2 | OUT | OUTPUT (31~35V) |

ABSOLUTE MAXIMUM RATINGS (Tamb=25°C)

| PARAMETER | SYMBOL | MIN. | MAX. | UNIT |
|-----------------------|--------|------|------|------|
| Stable Current | Iz | | 10 | mA |
| Power Dissipation | Pd | | 200 | mW |
| Operating Temperature | Tamb | -20 | 75 | °C |
| Storage Temperature | TSTG | -40 | 125 | °C |

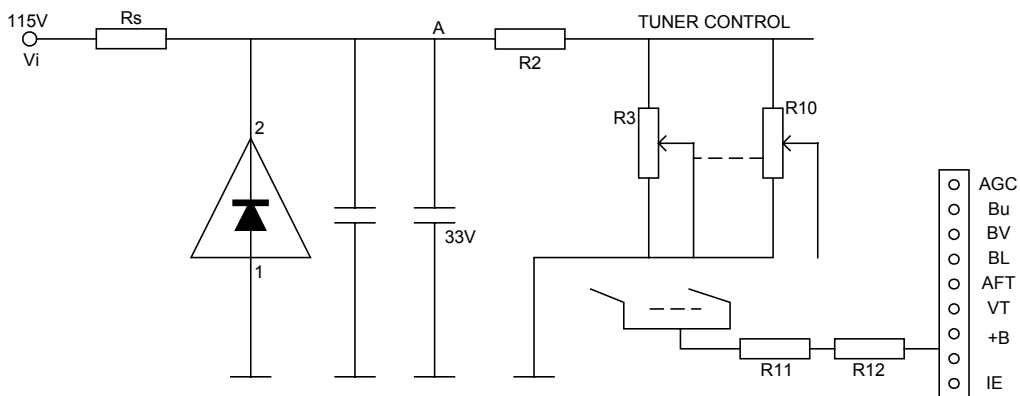
UTC CW574 LINEAR INTEGRATED CIRCUIT

ELECTRICAL CHARACTERISTICS (Tamb=25°C)

| PARAMETER | SYMBOL | TEST CONDITIONS | MIN | TYP | MAX | UNIT |
|--|--------|---------------------------|------|-----|-----|-------|
| Stable Voltage | Vz | Iz=5mA | 31 | 33 | 35 | V |
| Dynamic Resister | Rz | Iz=5mA, IAC=0.5mA, f=1kHz | | 10 | 25 | Ω |
| Stable Current And Temperature Characteristics | ΔVz | Iz=5mA, Tamb= -20~75°C | -1.0 | | 1.0 | mV/°C |

www.DataSheet4U.com

APPLICATION CIRCUIT



The UTC CW574 is a parallel voltage regulator which provides stable harmonious voltage for high frequency tuner head of color TV.

The main power 115V goes through Rs resistor to position 2 of UTC CW574 then the position A with 33V provides stable voltage for control circuit of high frequency tuner. The circuit from R3 to R10 is potential meter for tuning, according to different channels to change contact positions; to provide corresponding voltage to tuner; and to control the capacity of varicap diode in order to have high frequency tuner into proper channel.

The voltage range of UTC CW574 is required to cover necessary frequency range, and main issue of UTC CW574 is its reliable voltage stability which avoids unexpected frequency offset; therefore, the circuit of UTC CW574 contains temperature compensation to have lowermost temperature coefficient.